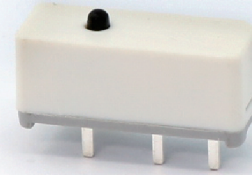


MS5型微動開關系列 Micro switch series

◆ 用途 Usage

主要應用於轎車中控鎖及車窗控制

Mainly used in car lock and window control



◆ 型號規格命名及含義 Model number legend and meanings

MS5 -□-(□)
1 2

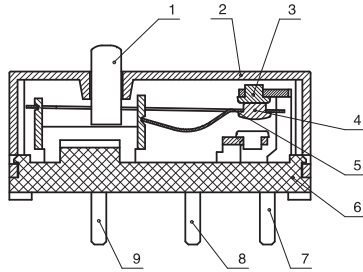
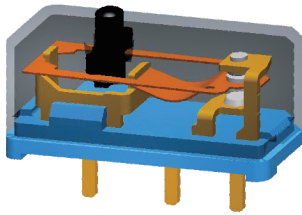
1 額定值 Ratings	2 附加代號 Append specs code
3 : 3A 12VDC 6 : 6A 12VDC 10: 10A 12VDC	適用於 apply to: 當顧客有特殊要求時 When customers need special requirements 附加代號用拉丁字母表示,在沒有附加時,該位置空缺。 Additional spec number shows by Arabic numerals. If there is no additional numbers, the place is vacant.

◆ 技術特性 Technical Characteristics

項目 Item	特性值 Value
環境溫度 Environment temperature	-40~+85°C
相對濕度 Relative humidity	45%~85%,40°C
額定電流 Rated current	3A/6A/10A
額定電壓 Rated voltage	DC12V
動作力 Operating force	≤4.5N
工作速度 Operating speed	0.1mm~1m/s
工作頻率 Operating Frequency	機械60次/min; 電氣 25次/min Mechanical 60 cycles/min; electrical 25cycles/min
絕緣電阻 Insulation resistance	≥100MΩ (500VDC)
接觸電阻 Contact resistance	≤30mΩ
耐電壓 Test voltage	同極不相接端子間 Between terminals of the same polarity
	帶電金屬零件與地(外殼)之間、 接綫端與不帶電金屬件之間 Between current-carrying metal parts and ground(case), and between each terminal and non-current-carrying metal parts.
抗振動 Vibration resistance	10~55Hz, 1.5mm雙振幅 double amplitude
抗衝擊 Shock resistance	耐久 endurance: 1000m/s ² (約100G approx.100G)max 誤動作 Wrong action:300m/s ² (約30G approx.30G)max
壽命 Life	機械 ≥100,000次 Mechanical ≥100,000 cycles 電氣 ≥30,000次 Electrical ≥30,000 cycles

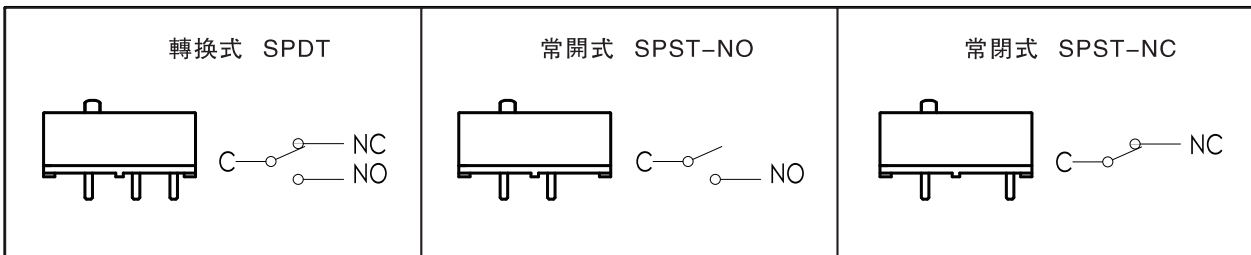
Since 1995, we focus on switches

◆ 内部構造圖 Internal configuration drawing

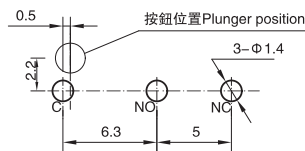


- 1: 按鈕 Plunger
- 2: 蓋 Cover
- 3: 電觸點 Contact
- 4: 電觸點 Contact
- 5: 可動片 Moving piece
- 6: 基座 Case
- 7: 常閉端子 NC terminal
- 8: 常開端子 NO terminal
- 9: 支架 Support

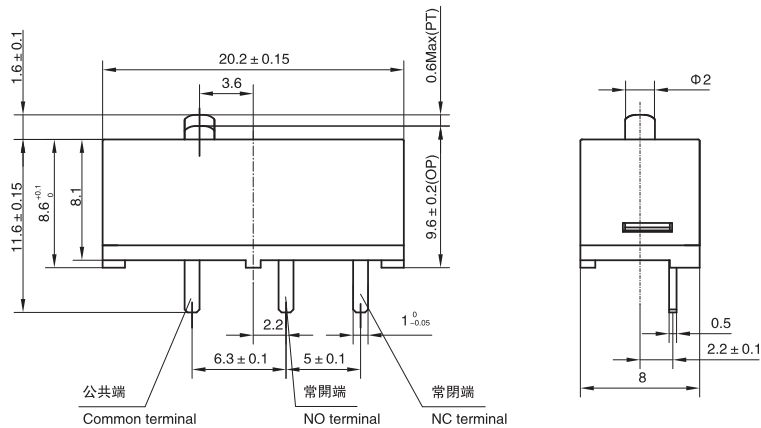
◆ 接觸形式說明圖 Circuit illustration



◆ 安裝孔尺寸 Mounting hole dimension



◆ 外形尺寸 Dimensions



微動開關系列
MICRO SWITCH SERIES

KW3A

KW4A

KW4A(S)

KW10

MS1

MS2

MS3

MS5

MS10

防水開關系列
WATERPROOF SWITCH SERIES

WS1

WS1L

WS2

WS3

WS4

WS5

WS6

WS7

電源開關系列
POWER SWITCH SERIES

KDC-A11

KDC-A04

PS4

PS5

PS6

RS1

RS2

RS3

其他開關系列
OTHER SWITCH SERIES

SP02

KXZ2

PRS1